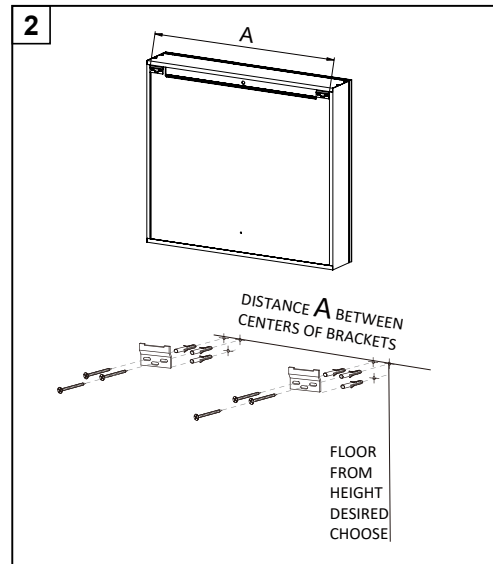
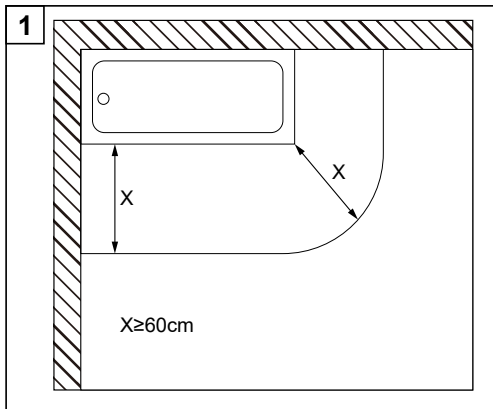


ALUMINIUM CABINETS INSTALLATION

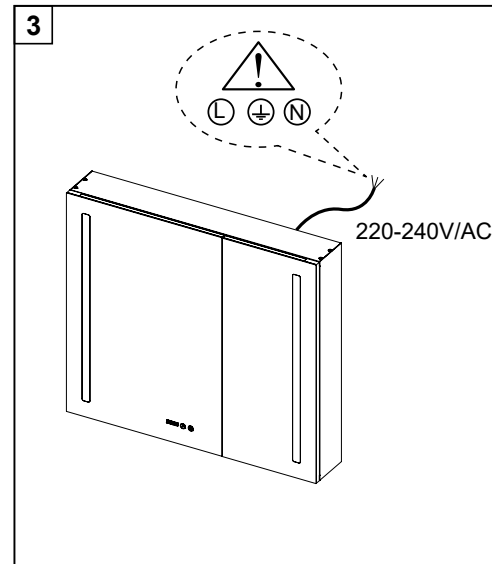
Warning: 1. Always switch off the electrical supply at the mains during installation and maintenance. All fittings must be installed by a competent person. If in doubt consult a qualified electrician.

2. Remove the packaging taking special care with the doors and separate shelves before installation.

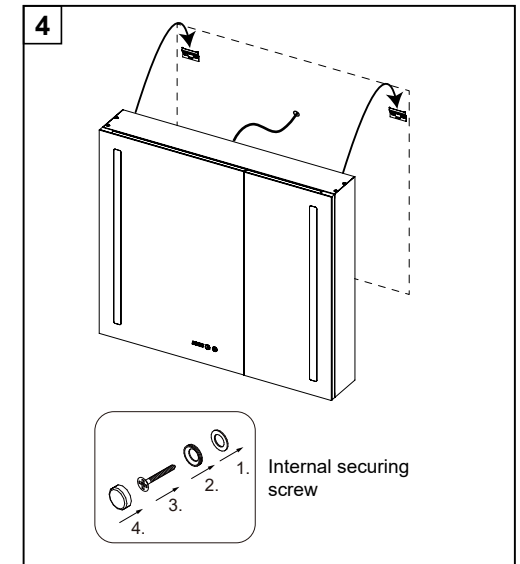
Installation step



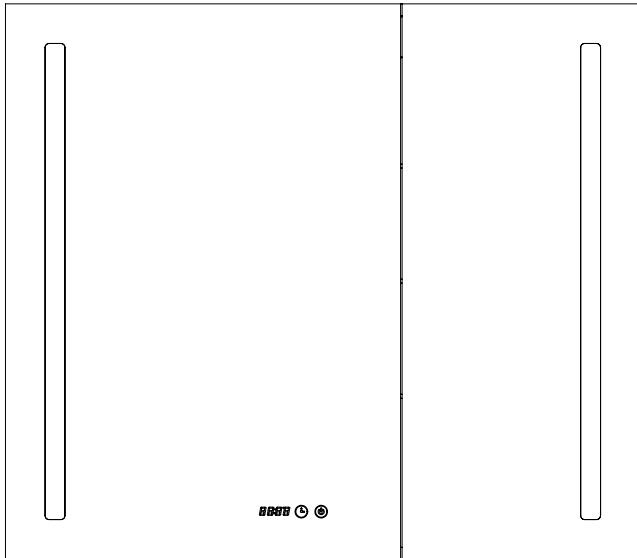
2. Screw the bracket to the wall by using the screws provided.



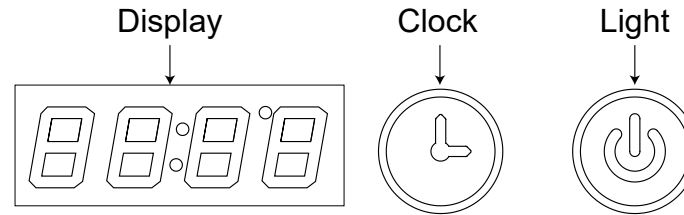
3. Connect the wire to local power wire.





3. Hang the cabinet on the wall bracket, the claws on the cabinet hangers must be securely located on the wall bracket. (the position of cabinet can be adjusted about 10cm for left side or right side)




Clock. Temperature Display + Dual Touch Key Operating Instructions





Short press  turn on or off the light belt.


Long press  change the brightness of the led light from 10% to 100% continuously.

Long press  to start the clock setting.

In clock setting state:

Short press  clock setting 'hour / minute' cycle switching

Short press  adjust the 'hour / minute' of the clock + / -

Long press  save the clock setting, exit the clock setting state and return to the normal display state.